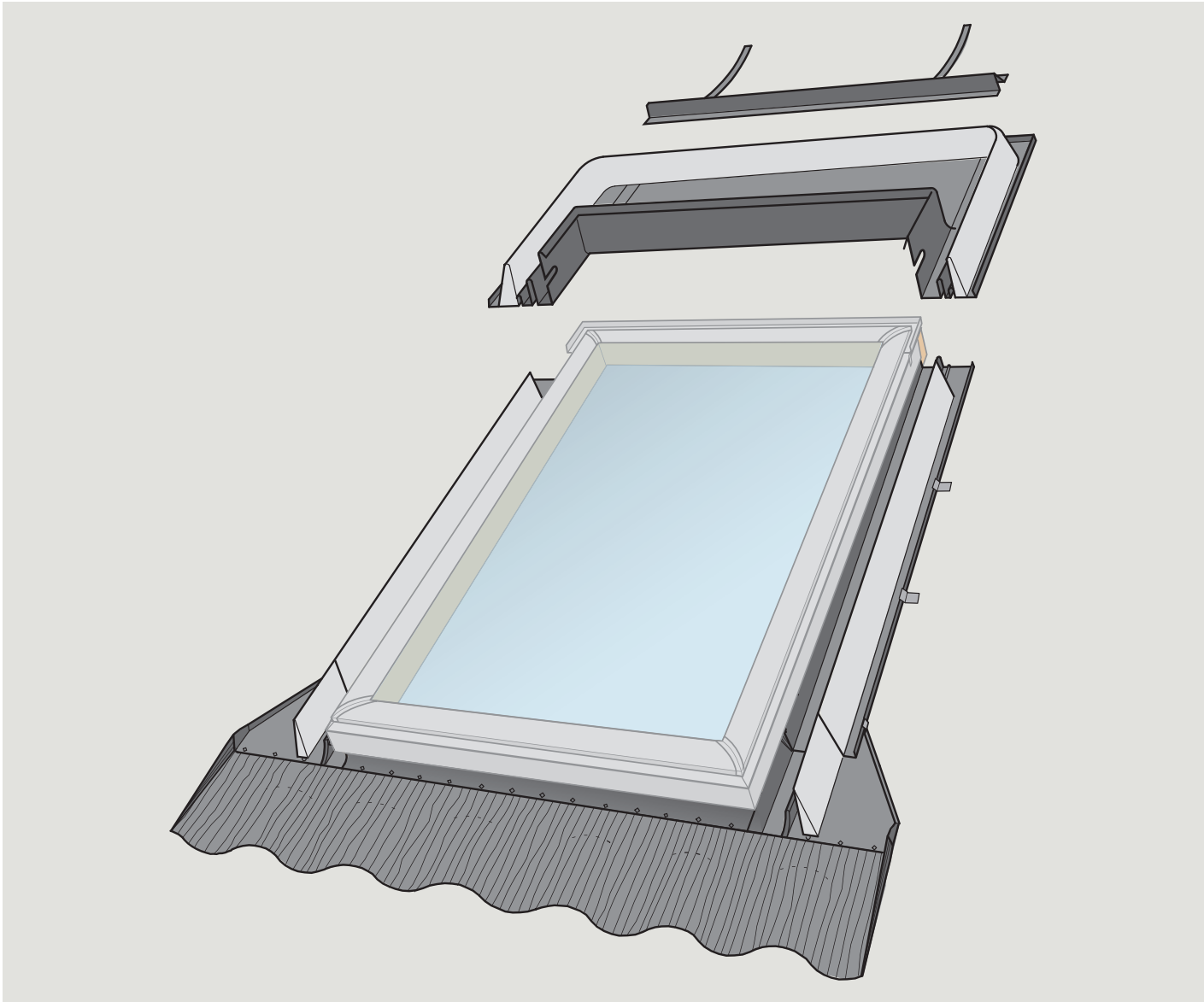
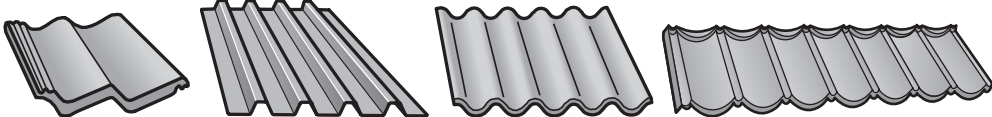


EDW + FS, VS, VSE, GGL, GGU, GHL

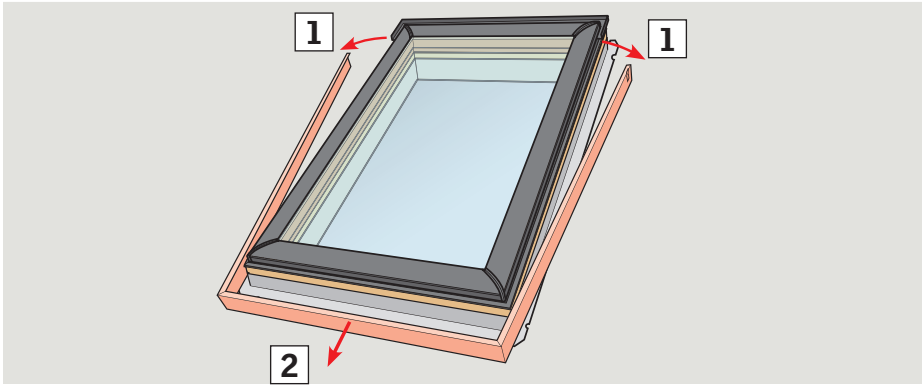


EDW Deck Mounted Skylight and Roof Window Flashing Installation Instructions

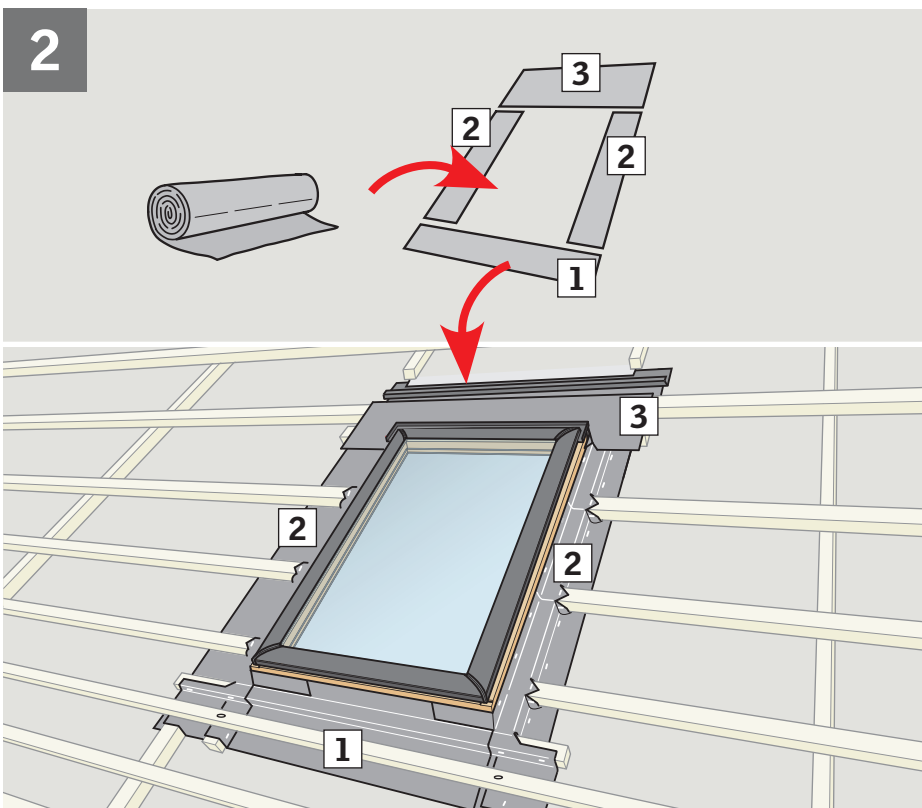
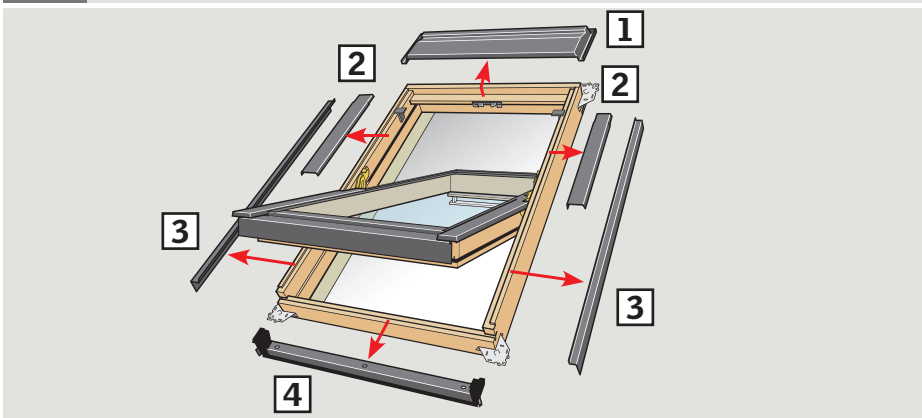


1a FS, VS, VSE

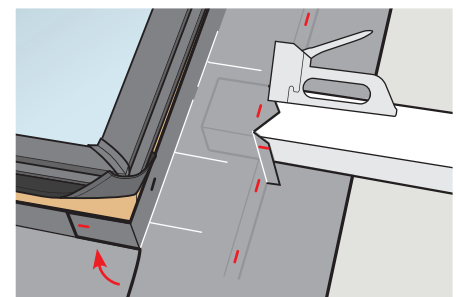
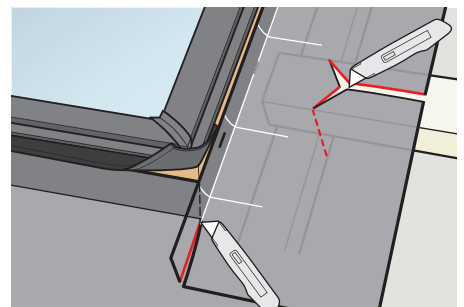
For proper installation, remove cladding as shown



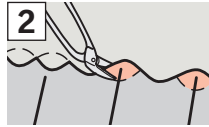
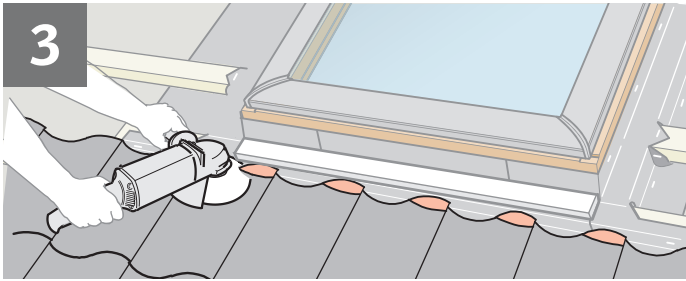
1b GGL, GGU, GHL



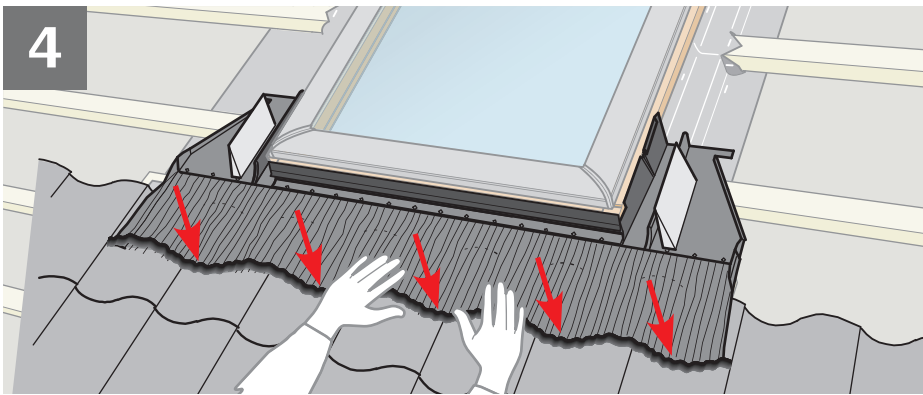
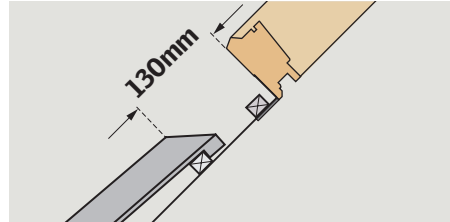
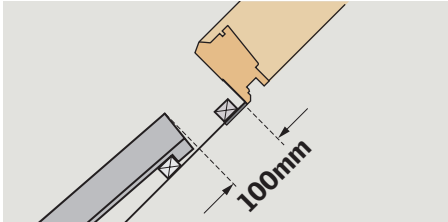
If roofing underlay is used: Dress roofing underlay up around all four sides of the frame. Roof with counter battens shown for illustration purpose.



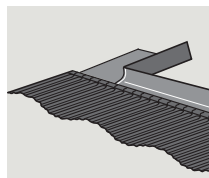
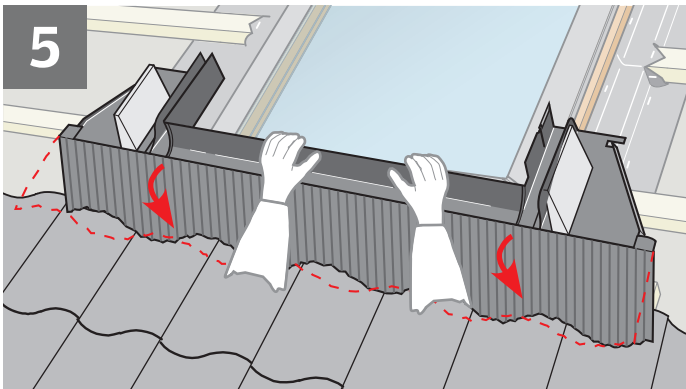
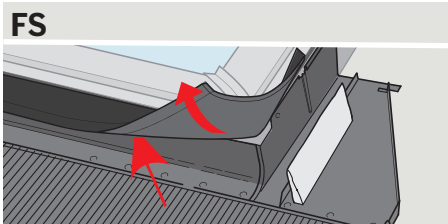
Flashing procedure for Tiles or Metal Roof



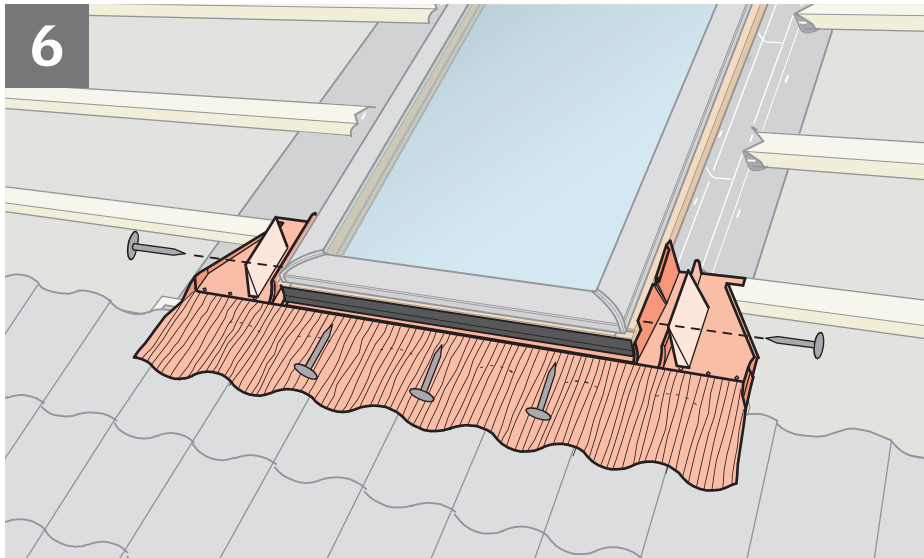
1 Tiles or **2** metal roof should be chamfered if necessary.
Install support battens for the bottom flashing. This will insure correct drainage of water off the bottom flashing.



Dress apron over roofing material.
Skylight FS: The bottom flashing section must be placed between the underglass rubber gasket and the bottom frame.

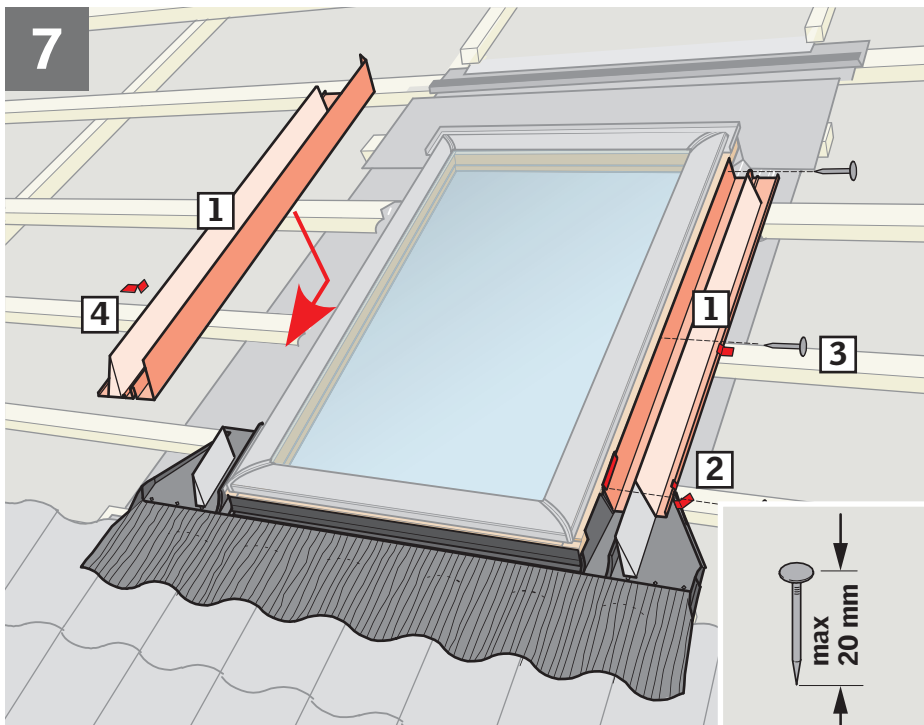
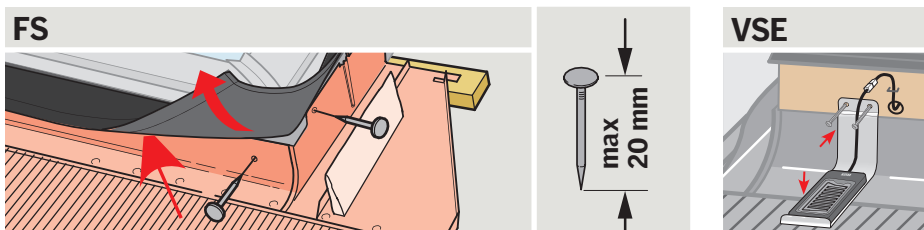


After fitting the apron to the roofing material, give the apron a "down bend" as shown. This will ensure the apron lays tight against the roofing material.



Position bottom flashing section as shown and install battens to support joints if necessary. Nail bottom flashing to skylight using nails provided.

FS: The bottom flashing section must be placed between the underglass rubber gasket and the bottom frame.



1 Slide side flashing sections to interlock with bottom section.

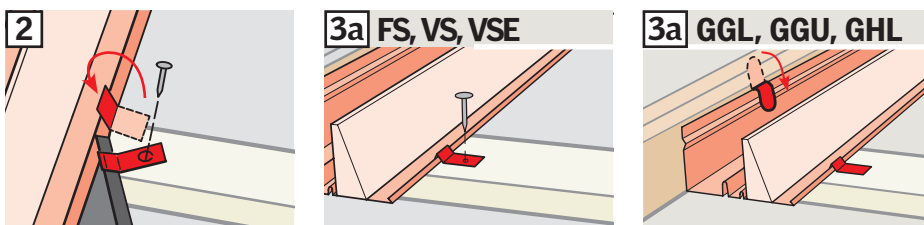
2 Bend over flap and pin bottom flashing to batten/ underroof to secure.

FS, VS, VSE:

3a Attach side flashing sections to frame with roofing nails provided.

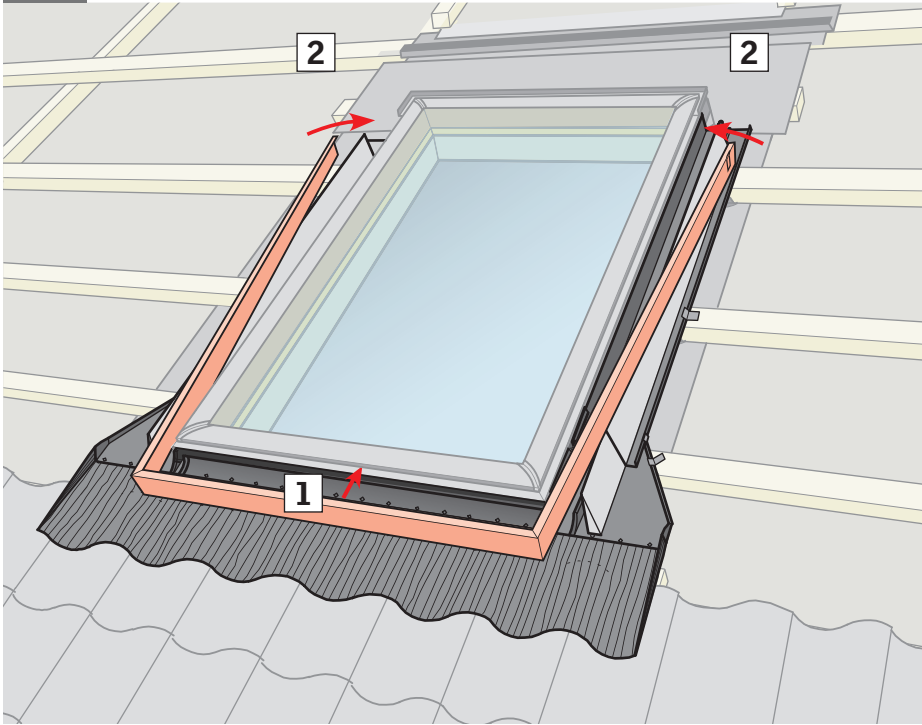
GGL, GHL:

3b Bend over frame flaps to secure.



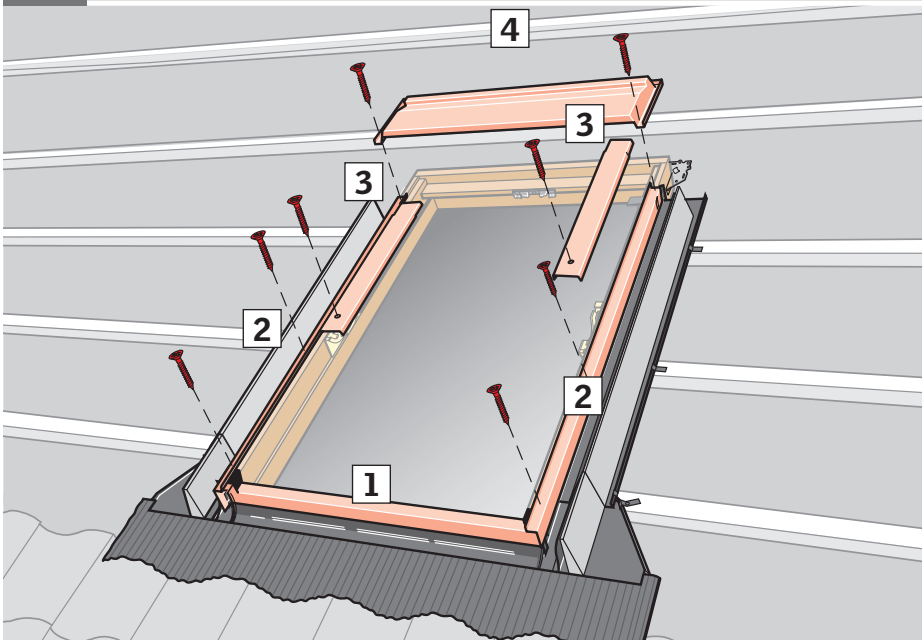
8a FS, VS, VSE

Replace cladding as shown

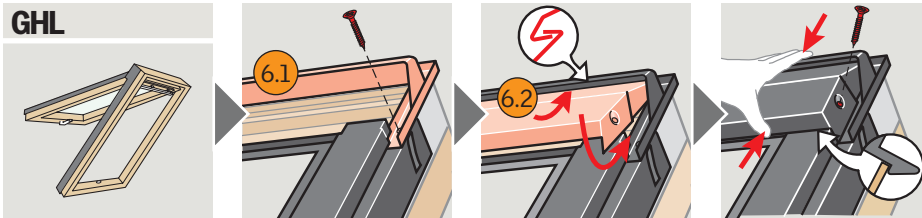


8b GGL, GGU, GHL

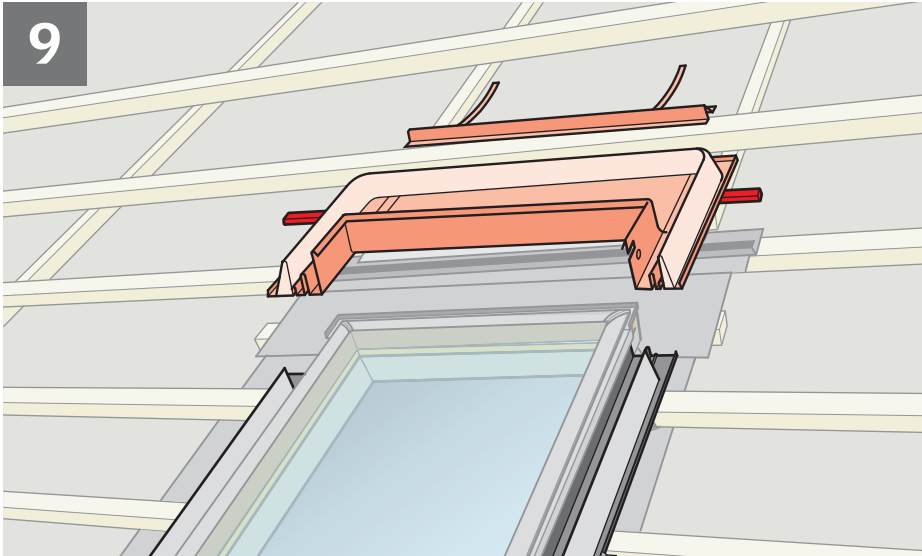
Replace cladding as shown



GHL



9

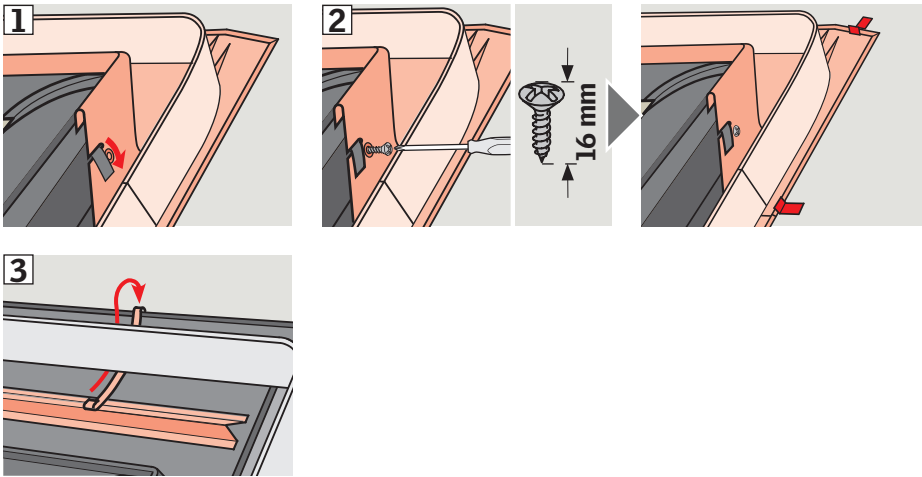


1 Install extra batten above the skylight to support the saddle flashing.

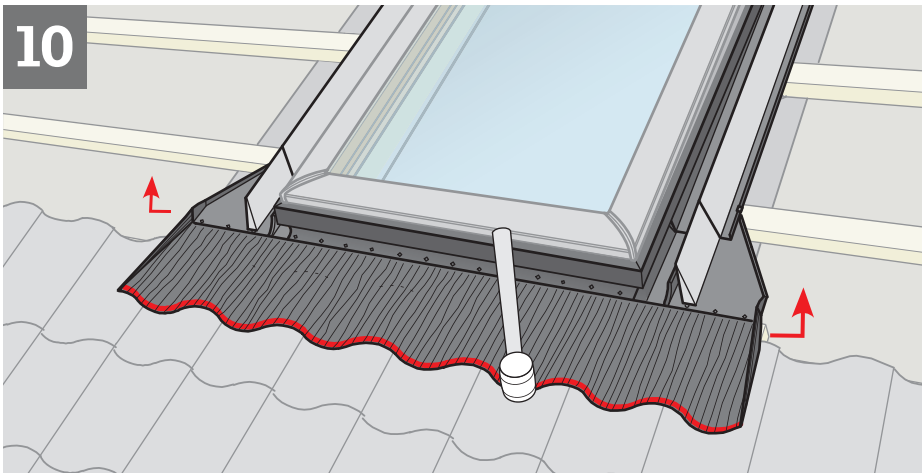
2 Attach saddle flashing by engaging and bending flaps as shown and secure with clips if necessary.

If tiles:

3 It may be necessary install the optional tile support supplied with the flashing.



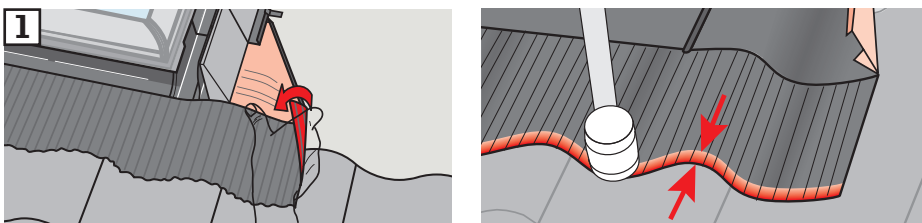
10



1 Stretch out pleats.

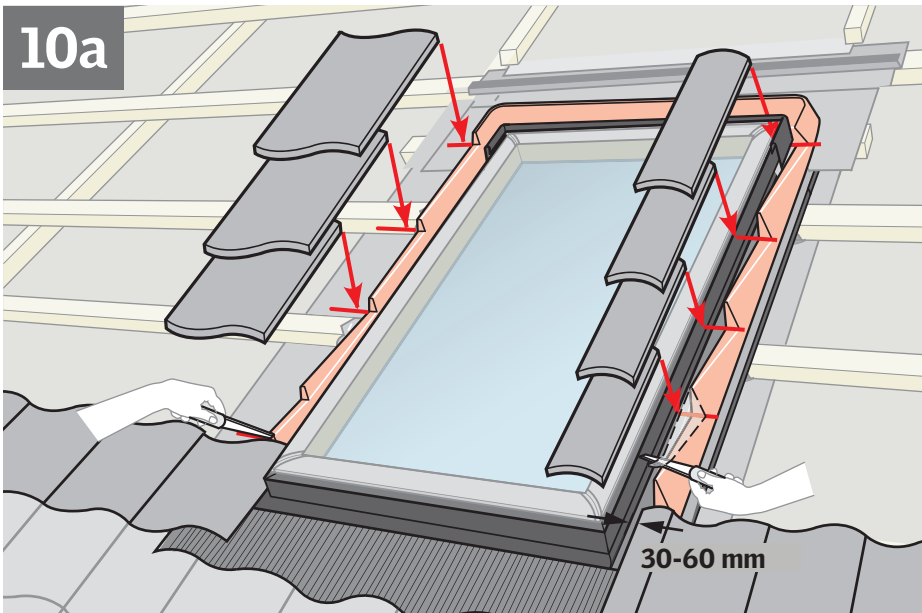
2 Fold ends of apron over to form water return.

3 Dress apron over roofing material.

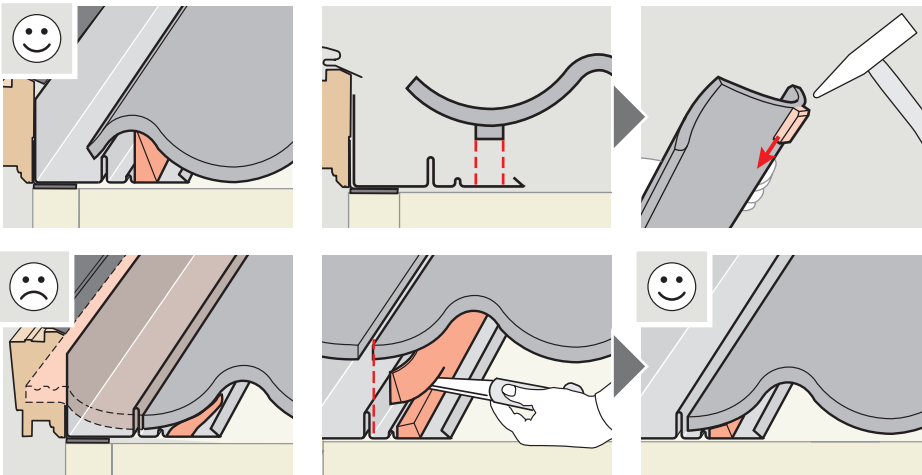


Flashing procedure for tiles only

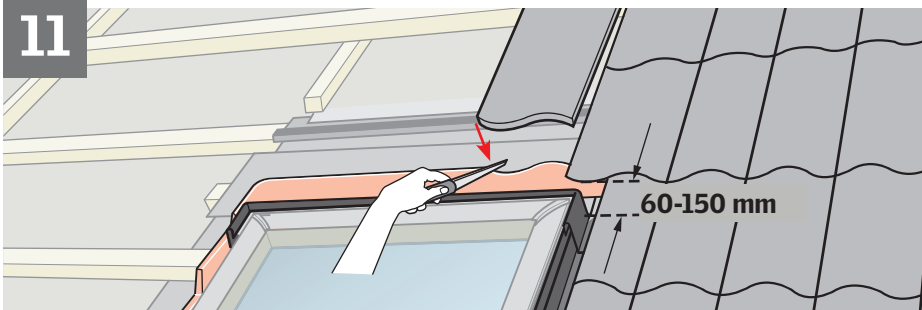
10a



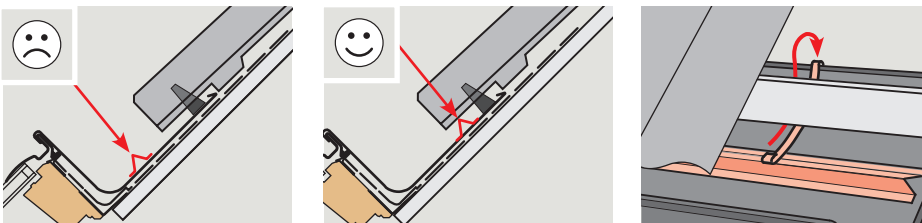
Trim foam gasket and flatten upstands on side sections as necessary. Make a slit above each tile to allow foam gasket to seal against underside of tile. Maintain distance to frame as shown; cut tiles if necessary. To make tile lie correctly it may be necessary to remove neck on tile and flatten the returned edge around the battens.



11

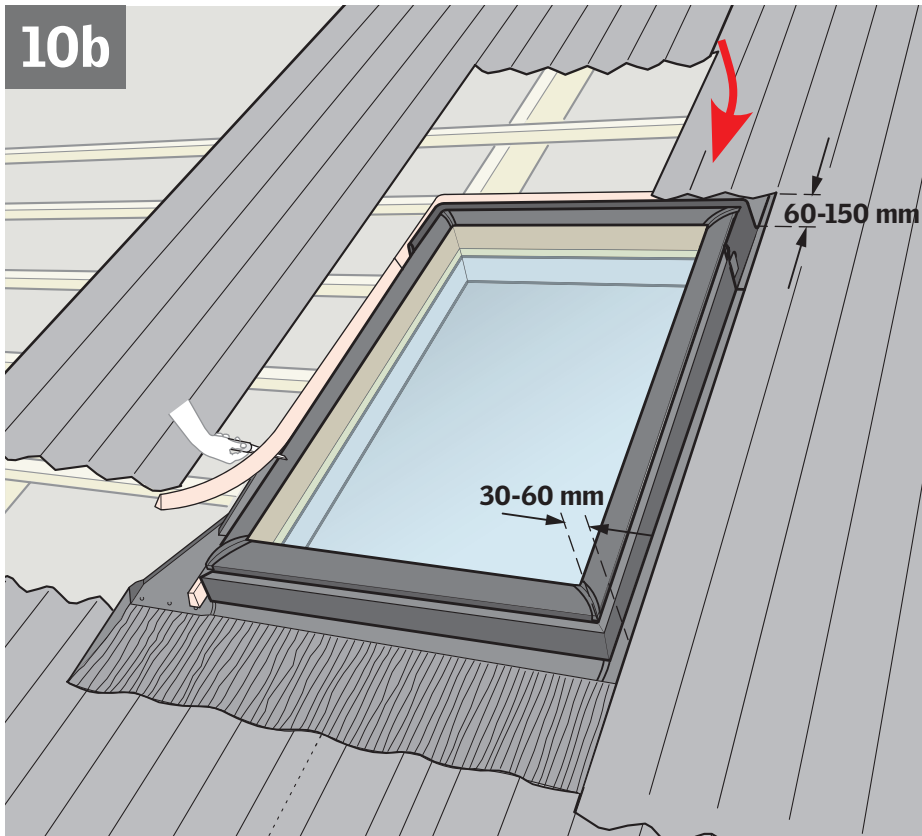


Trim the foam gasket in height to allow it to seal against underside of tiles. Arrange tile support and bend strips to hold it in place. Position roofing material maintaining 60-150 mm distance at top.



Flashing procedure for metal roof only

10b

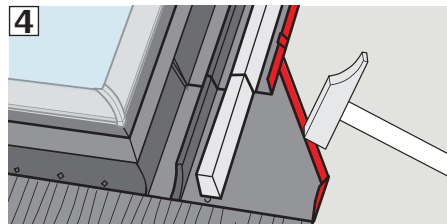
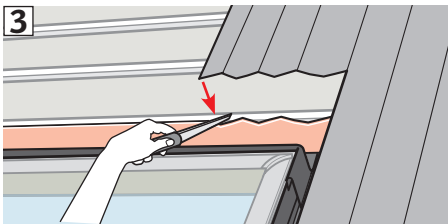
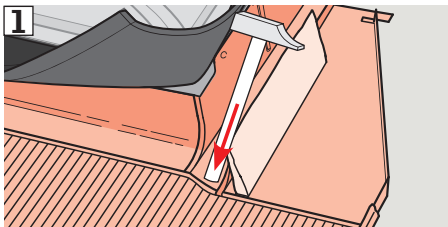


To allow the metal sheets to lie correctly, it may be necessary to:

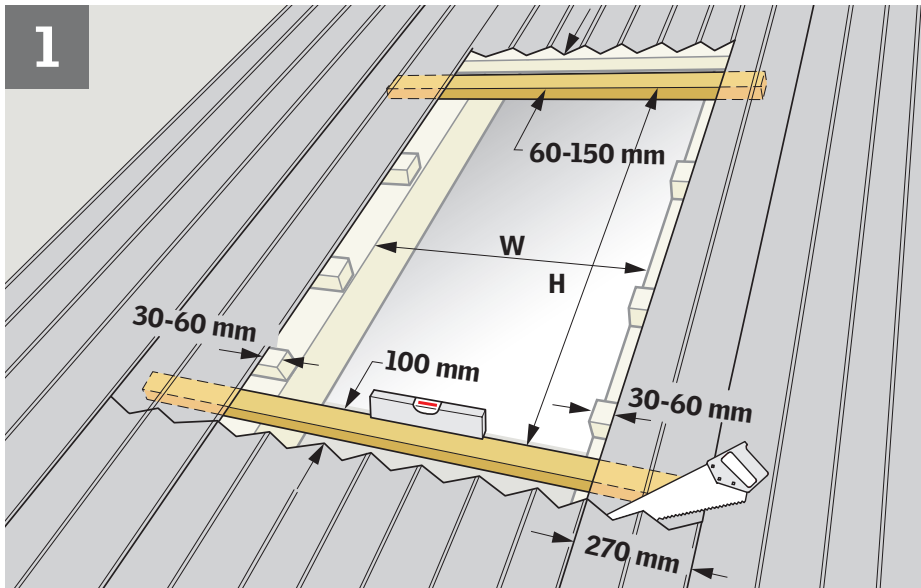
- 1 Flatten down the flashing on the sides right next to the bottom corners.
- 2 Trim foam gasket at sides and
- 3 at top
- 4 Flatten down edges of flashing as shown.

Fit remaining metal sheet maintaining 30-60 mm distance at sides of frame and 60-150 mm at top.

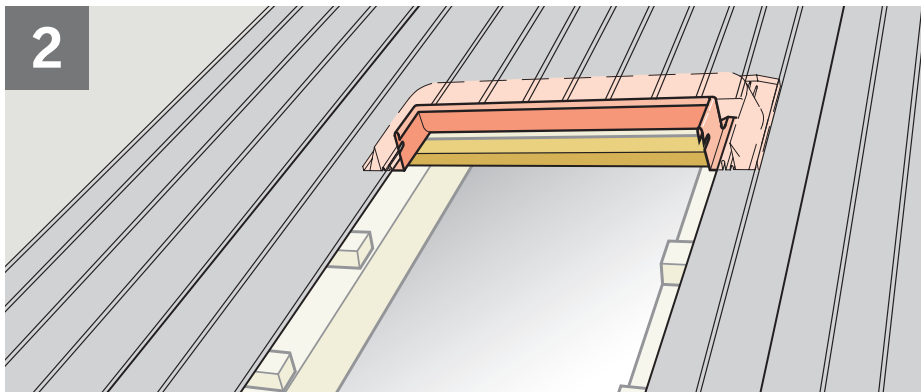
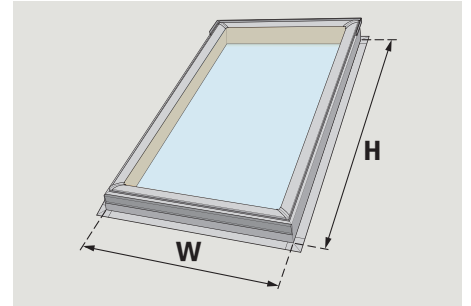
No nails or screws should penetrate in the area of the flashing



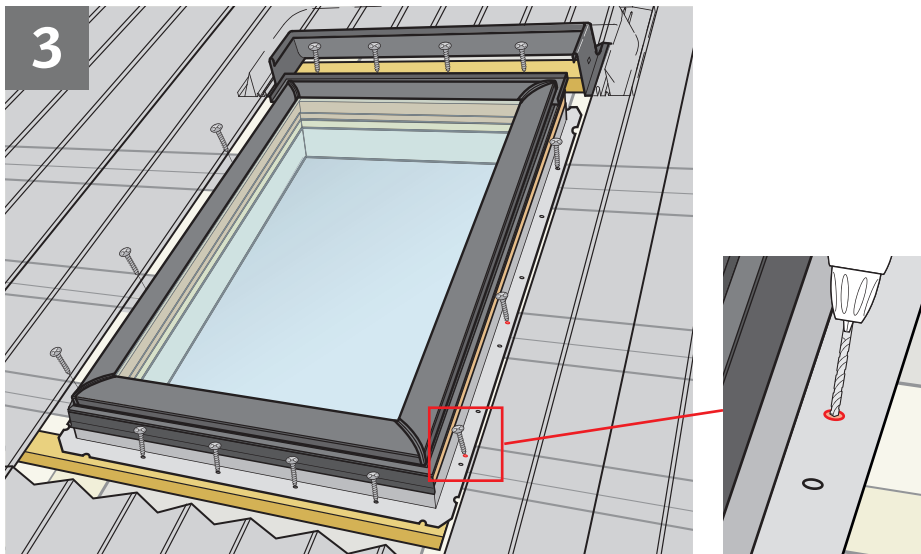
Flashing procedure in Metal Roof, existing construction



Cut the metal sheets taking care to maintain the correct distance from the course of metal sheets to skylight frame. Overcut at both sides below skylight to allow for full width of lead apron to come through metal sheet. Note that the cut must end on top of the highest point of the profile.

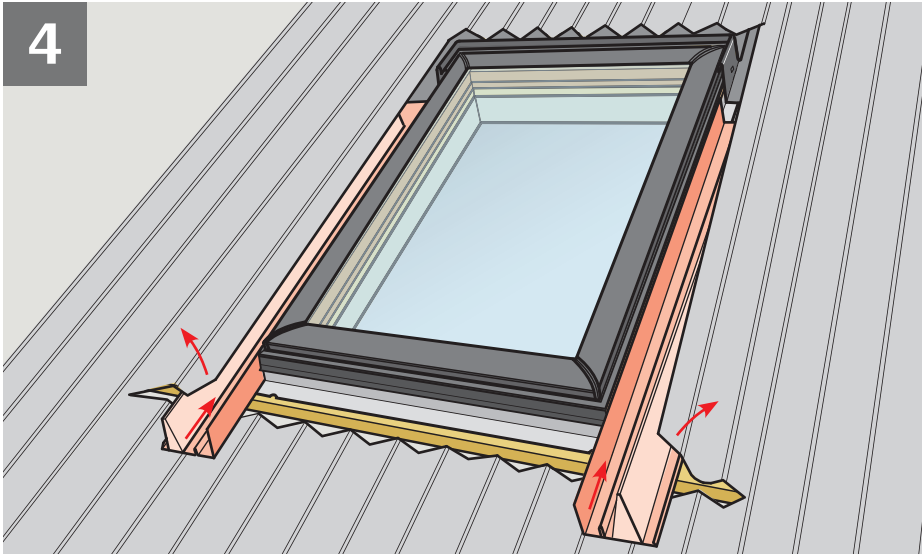


1 Fit top flashing section under the existing metal roof before laying the frame in position. Take care to maintain 30-60 mm distance from sides of frame to metal roof, 100 mm below and 60-150 mm above skylight.



Check level at bottom of frame and fix the angle brackets on the skylight to the rafters.

4

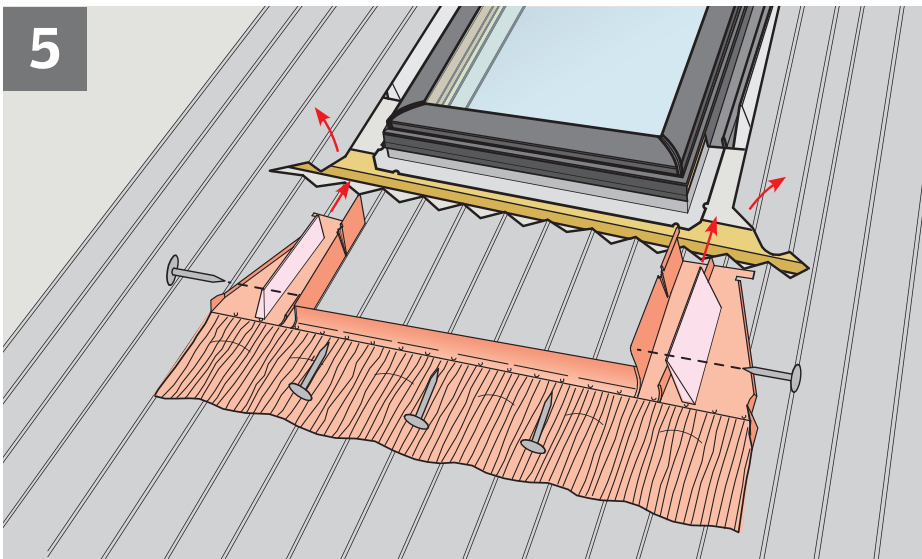


Fit the side flashing sections under the existing metal roof and the top flashing section.



Make sure that the metal sheets and all the flashing parts will be supported by battens/purlins.

5

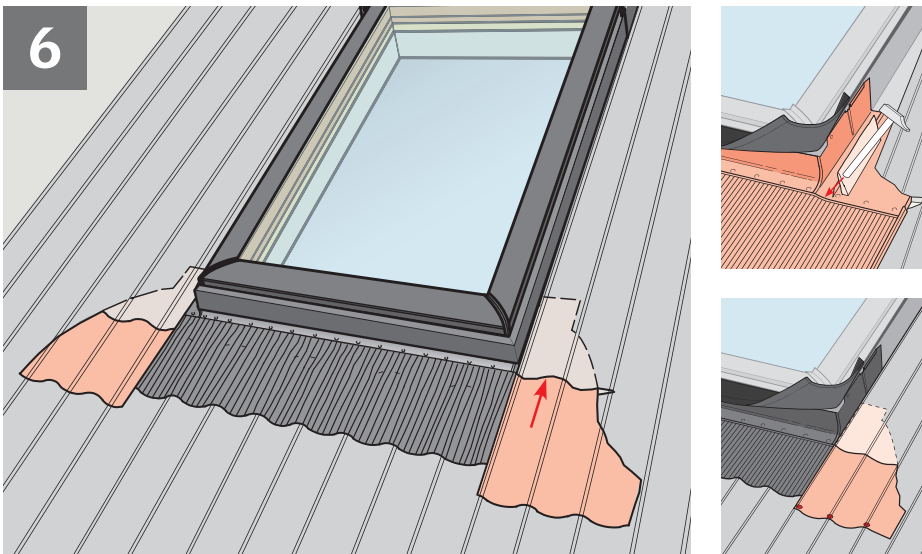


Cut foam down to level of underside of metal roofing to ensure that roofing lies flat.

Fit the bottom flashing section under the existing metal roof and nail this to the frame. To ensure the apron lays tight against the roofing material, give the apron a "down bend" after fitting it to the roofing material, see page 3 step 5.

Replace the frame coverings and secure the top flashing section.

6



1 The flashing area at the corners – between the side frame and the high upstand on the bottom flashing section – is flattened down to the level of the battens.

2 Shape a filler piece from the cut-out for the skylight and fit this tight into the overcut.

3 Fasten the filler piece with rivets and seal pinholes at the end of the overcut with silicone. No nails or screws should penetrate in the area of the flashing.



AUS: VELUX Australia Pty. Ltd
1300 859 856

NZ: VELUX New Zealand Ltd.
09-6344 126

www.velux.com